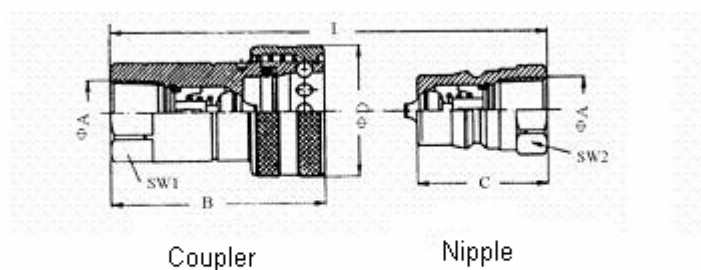


# HYDRAULIC QUICK CONNECT

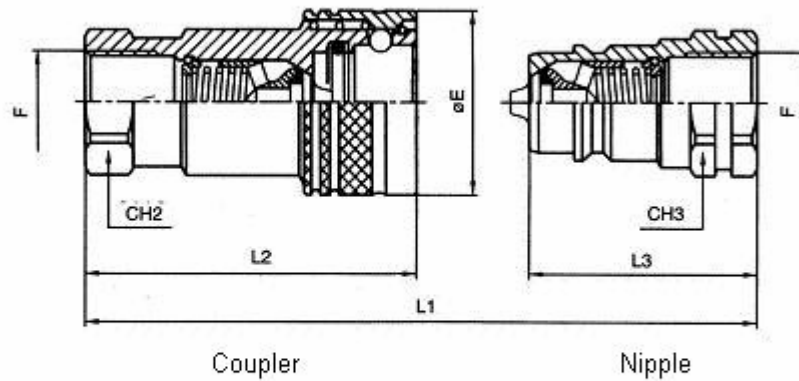
## FKZ Series Quick Connect



$\phi A$	压力 bar	B	C	D	对接后总长 L	SW1	SW2
G1/8"	300	50	31	23	62.5	15	15
G1/4"	300	58	37	28	74.5	19	19
G3/8"	250	64	39	35	78.5	24	22
G1/2"	250	73	45.5	44	91.5	30	27
G3/4"	250	86	54	52	107.0	36	34
G1"	200	103	63	60	126.0	41	41
G1 1/4"	140	126	126	75	198.0	65	65
G1 1/2"	140	126	126	75	199.0	65	65
G2"	90	142	142	105	221.0	90	90

STAINLESS STEEL QUICK CONNECT  
 Double ends shut off  
 Material: 316SS ( or 304SS )  
 Seal: FKM ( or EPDM )  
 Connection: Female Thread, NPT or BSPP

## F1VAP Series QUICK CONNECT



DN	BG	USA	ISO	CH2	CH3	E	L1	L2	L3	F
06	1	04	6.3	19	19	26	70	49	35	G1/4
										1/4NPT
										RC 1/4
10	2	06	10	22	22	30	85	60.5	42.5	G3/8
										3/8NPT
										RC3/8
13	3	08	12.5	27	27	38	96	70	48	G1/2
										1/2NPT
										RC1/2
										M22 × 1.5
										3/4 UNF
20	4	12	20	34	34	45	114	84.5	57	G3/4
										3/4NPT
										RC3/4
25	5	16	25	41	41	52	131	99	65.5	G1
										1NPT
										RC1
30	5	20	31.5	50	50	70	150	117	75	G1 1/4
										1 1/4NPT
										RC1 1/4
39	7	24	40	60	60	82	167	133	84	G1 1/2
										1 1/2NPT
										RC1 1/2
50	8	32	50	75	75	99	216	169	108	G2
										2NPT
										RC2

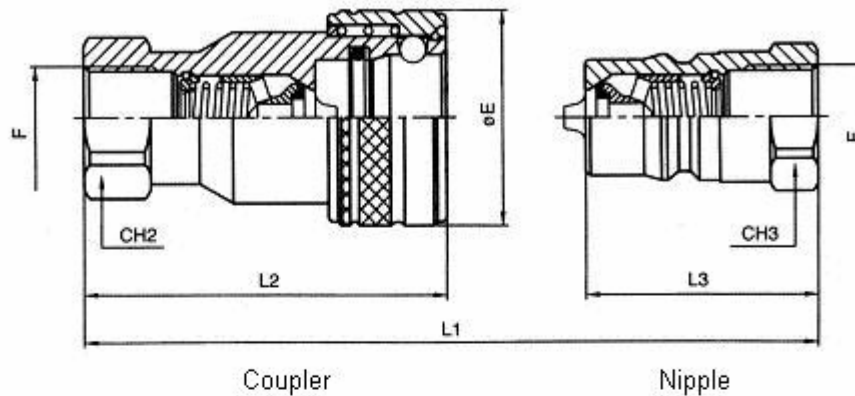
### CARBON STEEL QUICK CONNECT

Surface: Galvanized or zinc-plated with color finish

Seal: Buna-N ( or other options )

Working Temperature: -25 ~ +125 (Centigrade)

## F1VBP Series QUICK CONNECT



DN	BG	USA	ISO	CH2	CH3	E	L1	L2	L3	F
04	0	02	5	17	14	23	82	50	31	G1/8 1/8NPT
06	1	04	6.3	19	19	28	76	60	38	G1/4 1/4NPT
10	2	06	10	24	22	35	86	67.5	43	G3/8 3/8NPT
					27				46	3/4UNF
13	3	08	12.5	30	27	44	97	76	48.5	G1/2 1/2NPT
20	4	12	20	36	34	52	114	91.5	57	G3/4 3/4NPT
25	5	16	25	41	41	60	131	106	65.5	G1 1NPT
39	7	24	40	65	65	75	200	125	125	G1 1/4 1 1/4NPT
										G1 1/2 1 1/2NPT
50	8	32	50	90	90	105	220	142	142	G2 2NPT

### CARBON STEEL QUICK CONNECT

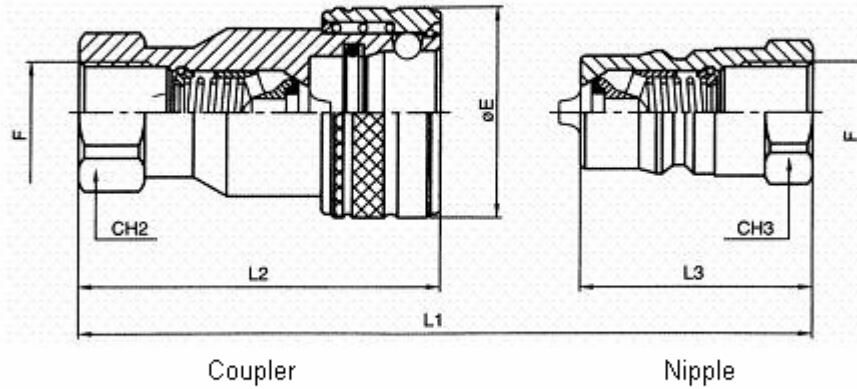
Surface: Galvanized or zinc-plated with color finish

Seal: Buna-N ( or other options )

With lock-ball design to even the pressure

Working Temperature: -25 ~ +125 (Centigrade)

## FXVBP Series QUICK CONNECT



DN	BG	USA	ISO	CH2	CH3	E	L1	L2	L3	F
04	0	02	5	14	14	24	62.5	49.5	31	G1/8 1/8NPT
06	1	04	6.3	19	19	28	76	60	38	G1/4 1/4NPT
10	2	06	10	24	22	35	78.5	64	39	G3/8 3/8NPT
13	3	08	12.5	30	27	42	92	73	45.5	G1/2 1/2NPT
20	4	12	20	36	34	52	107	87	53.5	G3/4 3/4NPT
25	5	16	25	41	41	60	126	102	63.5	G1 1NPT
39	7	24	40	65	65	75	200	125	125	G1 1/4 1 1/4NPT
										G1 1/2 1 1/2NPT
50	8	32	50	90	90	105	220	142	142	G2 2NPT

### STAINLESS STEEL QUICK CONNECT

Body Material: SS 316

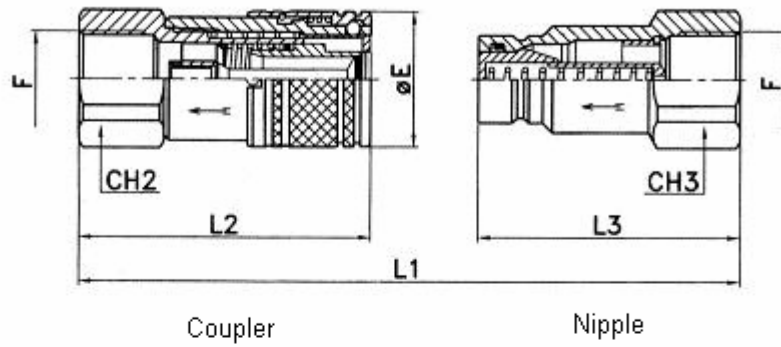
Spring Material: SS 302

Seal: FKM

Back-up Ring: PTFE

Working Temperature: -25 ~ +200 (Centigrade)

## F1TLP Series QUICK CONNECT



DN	BG	USA	ISO	CH2	CH3	E	L1	L2	L3	F
06	1	04	6.3	22	22	27	96	52.5	53.5	G1/4
										1/4NPT
13	2	06	10	27	27	32	116	68	63.5	G3/8
										3/8NPT
							125	73	67.5	G1/2
										1/2NPT
20	3	08	12.5	32	32	38	137	78.5	76	G1/2
										1/2NPT
				36	36	38	138.5	84	72	G3/4
										3/4NPT
25	4	12	19	46	38	48	146	87.5	80.5	G3/4
										3/4NPT
				46	48	48	150	87.5	84.5	G1
										1NPT
30	5	16	25	55	55	55	174	106	90	G1 1/4
										1 1/4NPT

### CARBON STEEL QUICK CONNECT

Surface: Galvanized

Seal: Buna-N ( or other options )

Working Temperature: -25 ~ +125 (Centigrade)